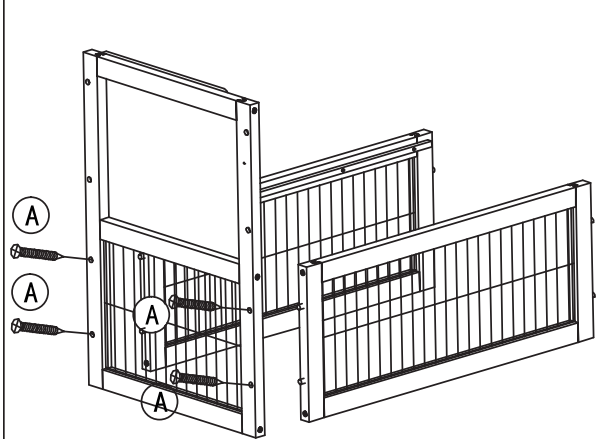
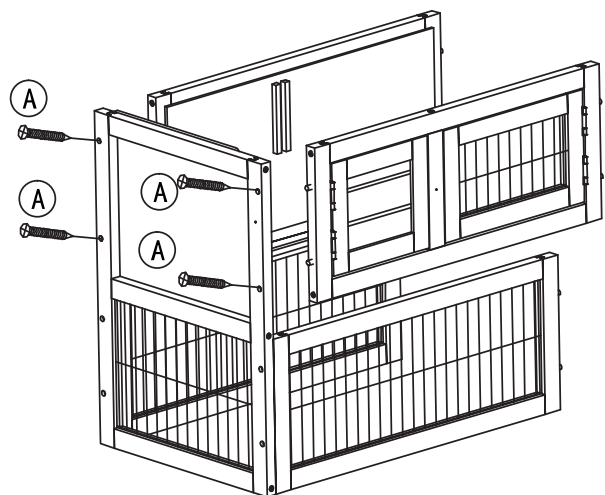


### 210090 Assembly Instructions

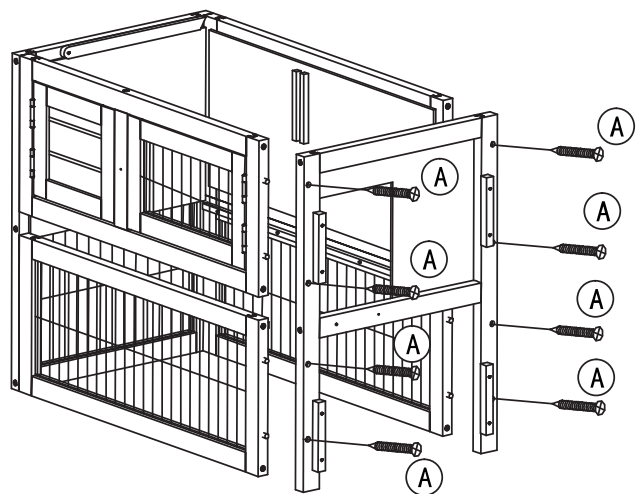
				<b>A</b> M3.5X45 24+1
				<b>B</b> M3.5X35 4+1
				<b>C</b> M3.5X30 8+1
				<b>D</b> M3.5X25 5+1
				<b>E</b> M3.0X16 6+1
				1x(door latch)
				3x(ring)



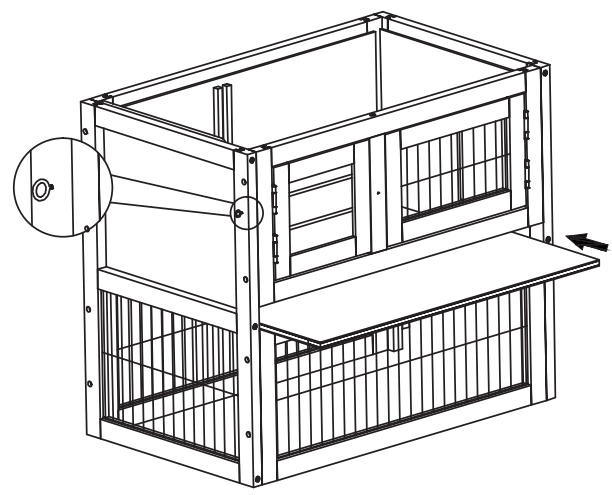
1. Connect the left side panel with the bottom of front & back panel.



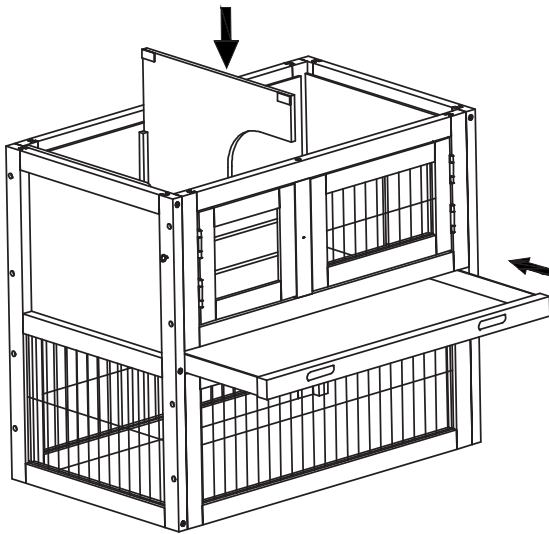
2. Fix the top of front & back panels.



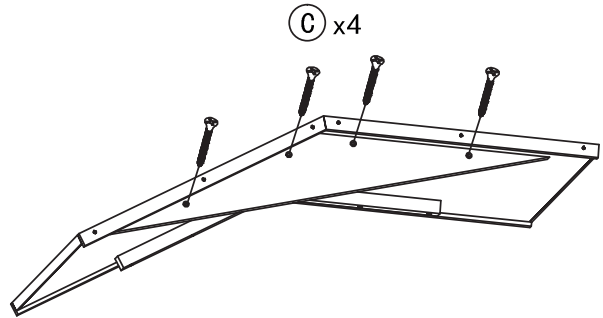
3. Fix the right side panel.



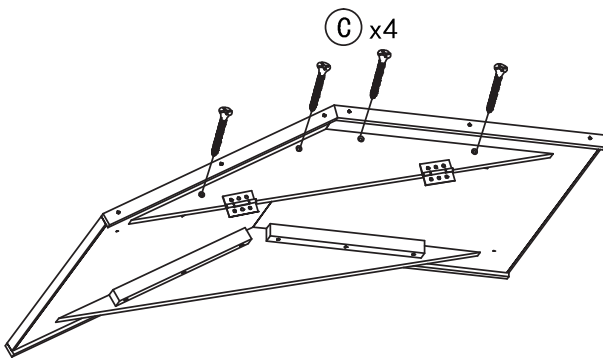
4. Insert the bottom panel and fix the ring.



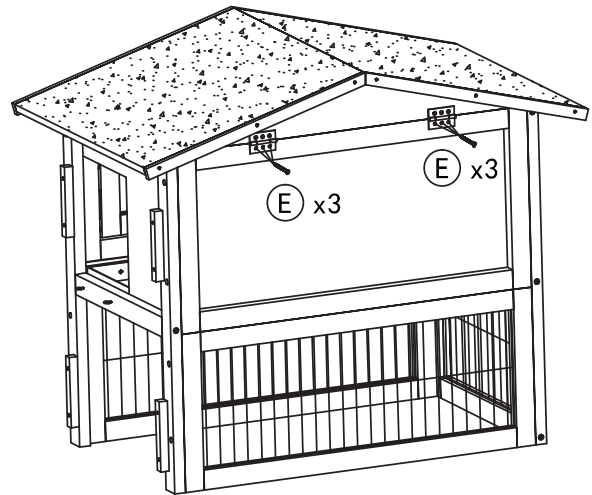
5. Insert the tray and partition.



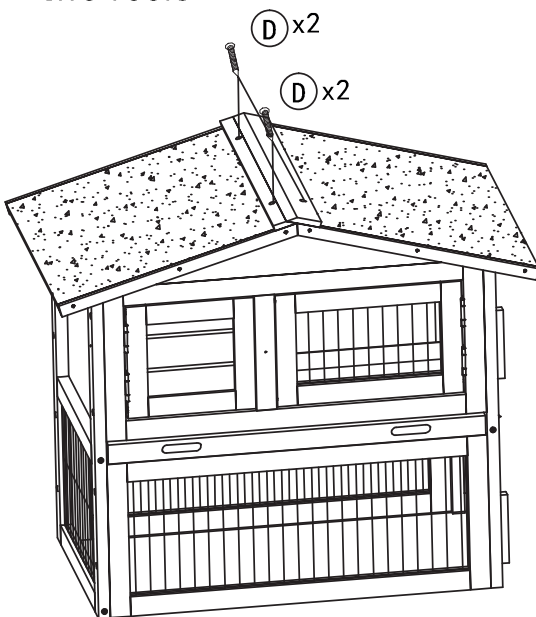
6. Fix the front triangle panel with two roofs.



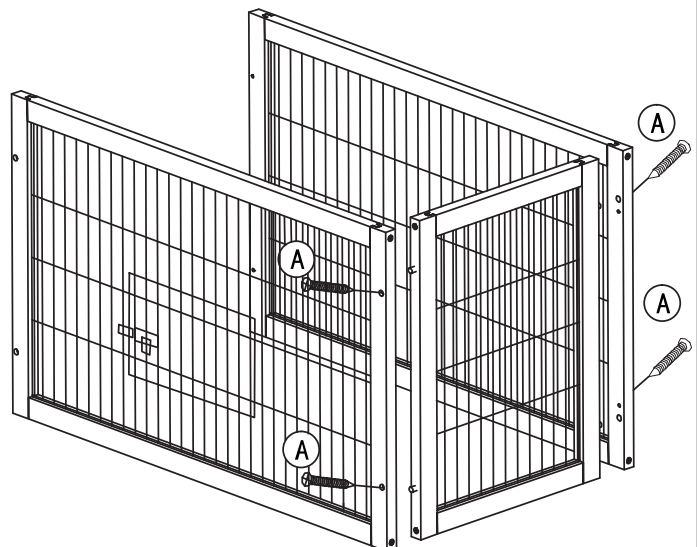
7. Fix the back triangle panel with two roofs.



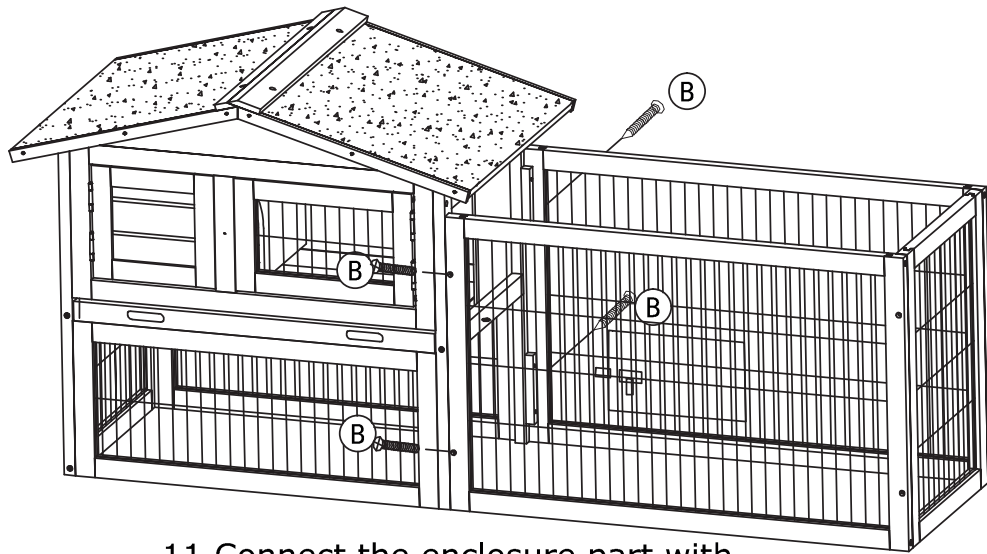
8. Connect the triangle panel with the back panel.



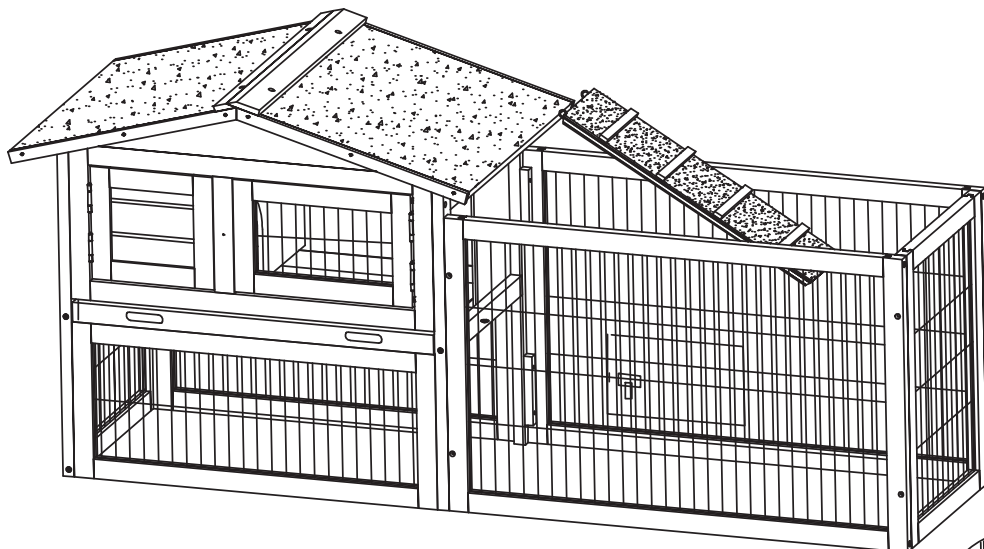
9. Fix the ridge.



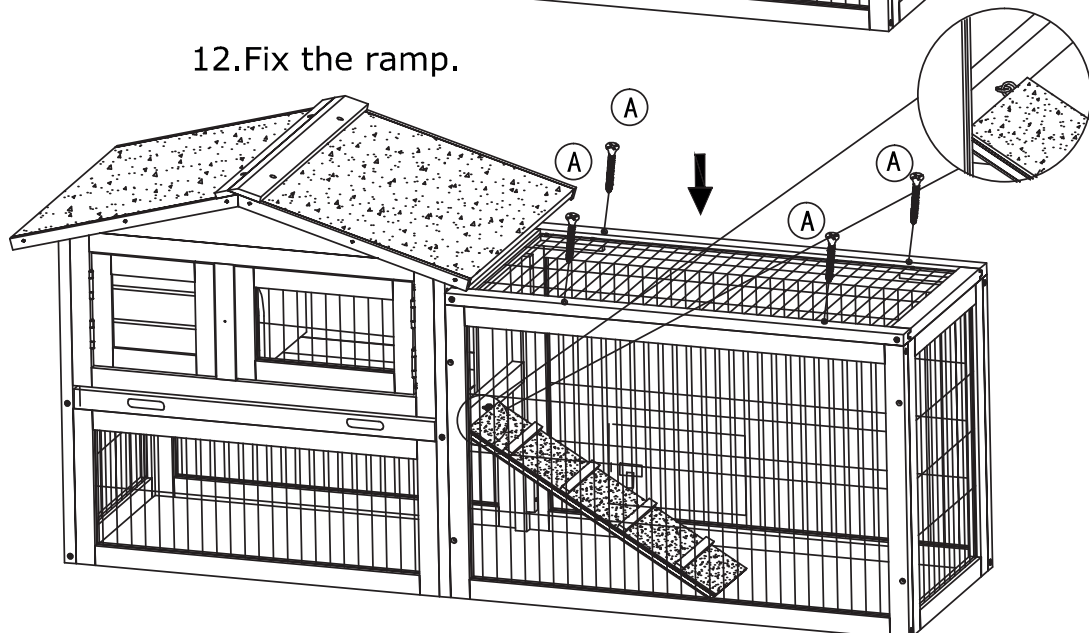
10. Fix the enclosure side panel with front & back panels.



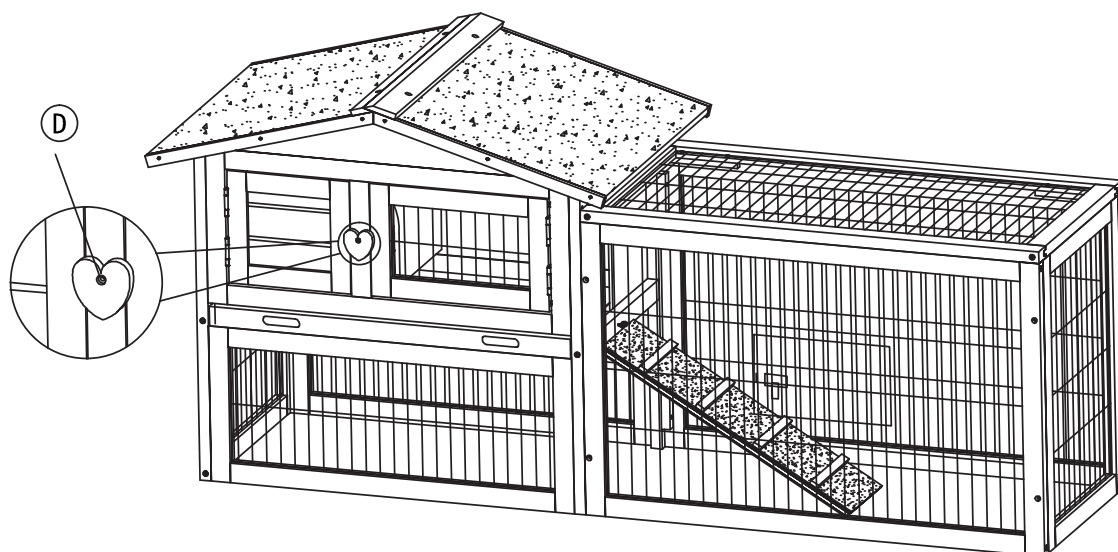
11. Connect the enclosure part with the main body.



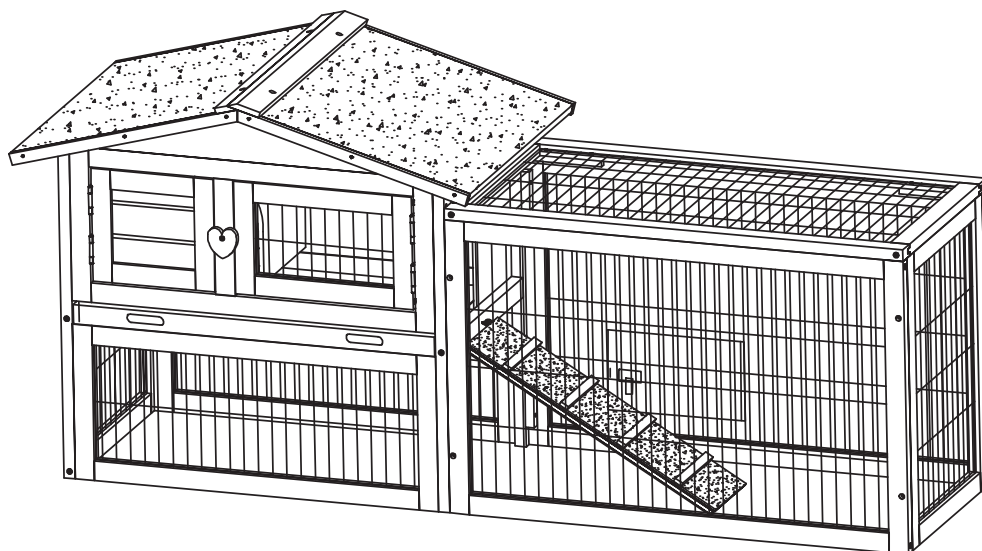
12. Fix the ramp.



13. Insert the enclosure roof.



14. Fix the door latch.



15. Finish.