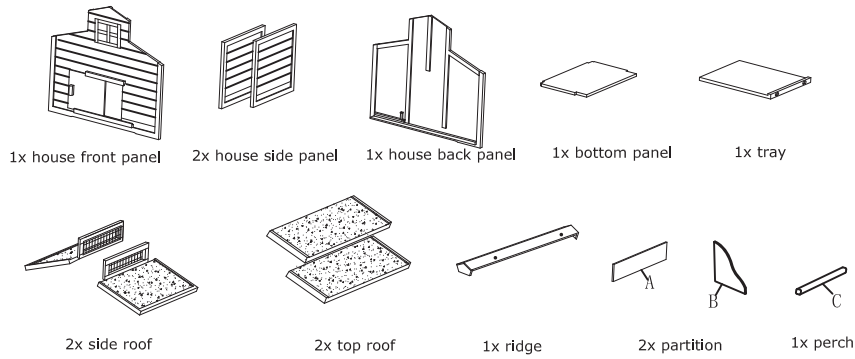


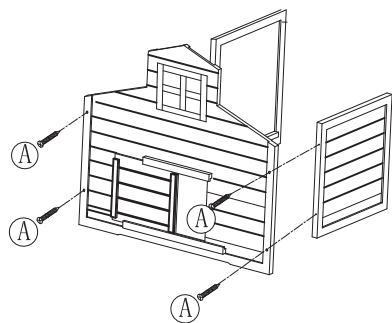


FLAMINGO

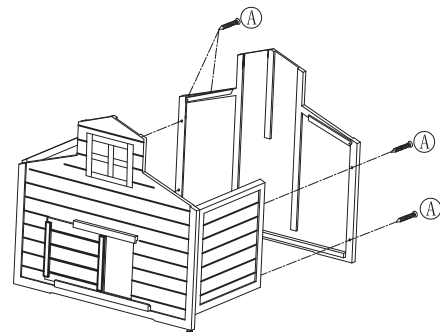
Yandan House Instructions



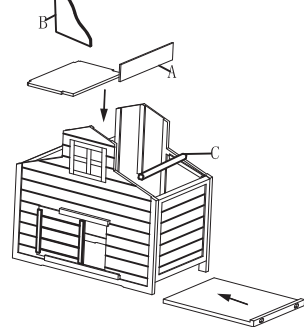
- (A) M3.5x45
16+1
- (B) M3.5x35
4+1
- (C) M3.5x25
4+1



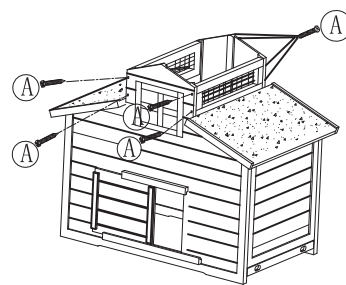
1. Connect the house front panel with two side panels.



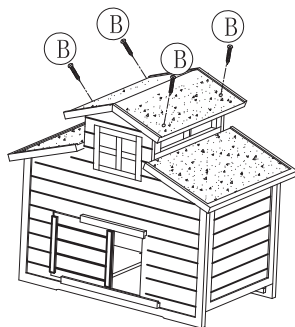
2. Connect the house back panel with two side panels.



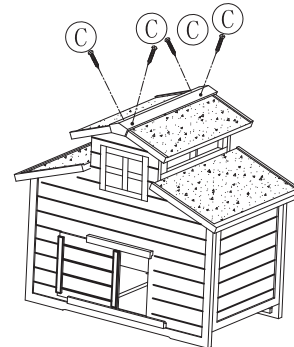
3. Insert the bottom panel, partitions, perch and the plastic tray.



4. Fix the two side roofs.



5. Fix the top two roofs.



6. Fix the ridge.

Art.No. 310012