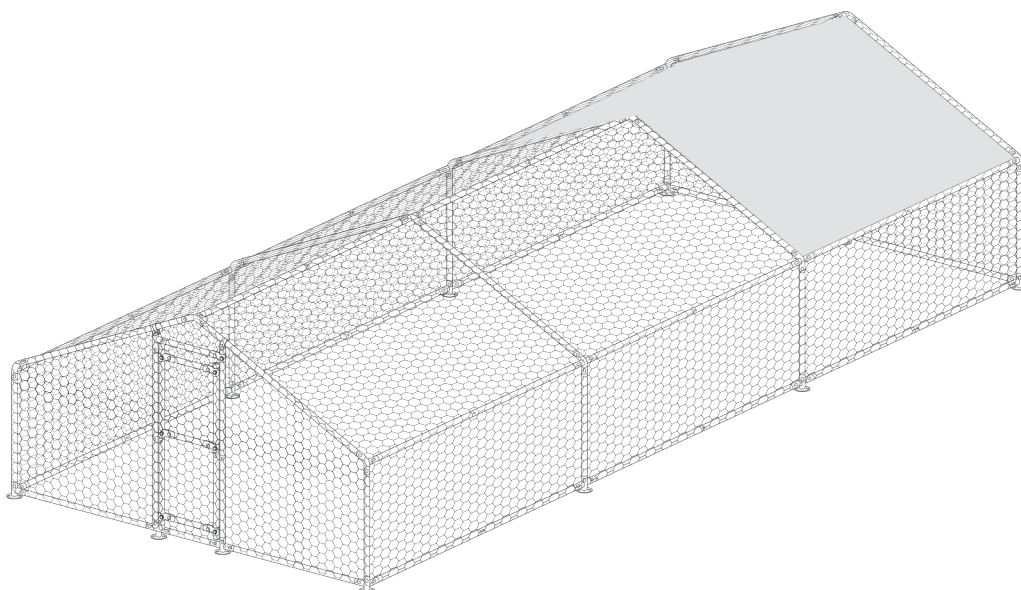




Chicken Run Doerak

Instruction manual

For specification: 6m(L) x 3m(W) x 2m(H)



Art. No. 310052

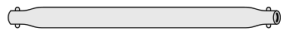
Chicken Run accessories



1 x2pcs 1410mm pipe



2 x15pcs 970mm pipe



3 x23pcs 970mm pipe



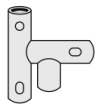
4 x8pcs 1480mm pipe



5 x2pcs 1115mm pipe



6 x1pcs 530mm pipe



D1 x1pcs



D2 x1pcs 575mm



D3 x3pcs 510mm



D4 x1pcs 865mm



D5 x1pcs 865mm



D6 x1pcs 855mm



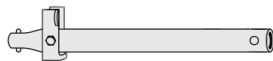
D7 x1pcs 855mm



D8 x1pcs 845mm



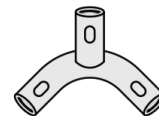
D9 x1pcs 845mm



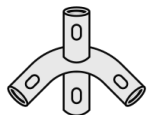
D10 x1pcs 890mm



D11 x1pcs 890mm



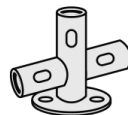
A x6pcs



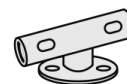
B x6pcs



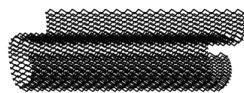
C x4pcs



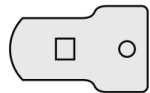
D x5pcs



E x1pcs



F 50mx1



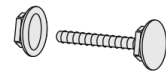
H x14pcs



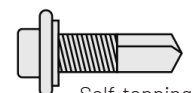
I x2pcs



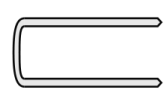
J x1pcs Roof



K x9pcs



L x14pcs
Self-tapping
Screws



M x11pcs



N xNpcs



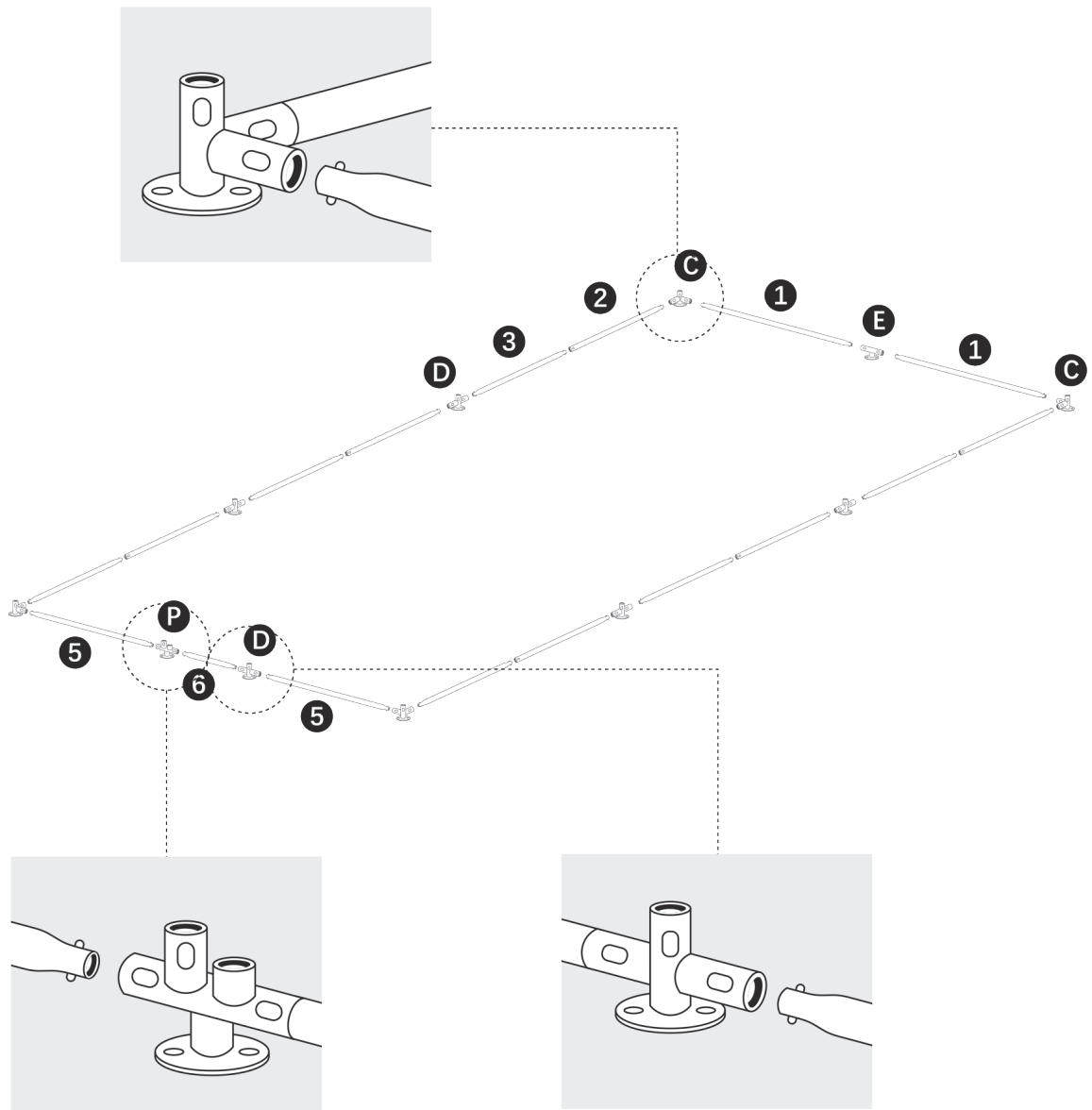
O xNpcs



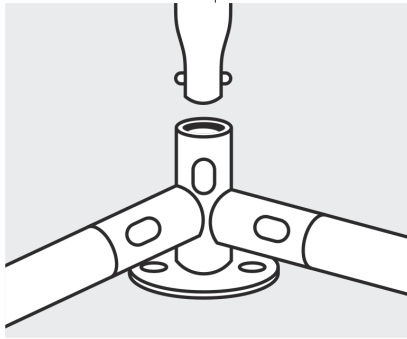
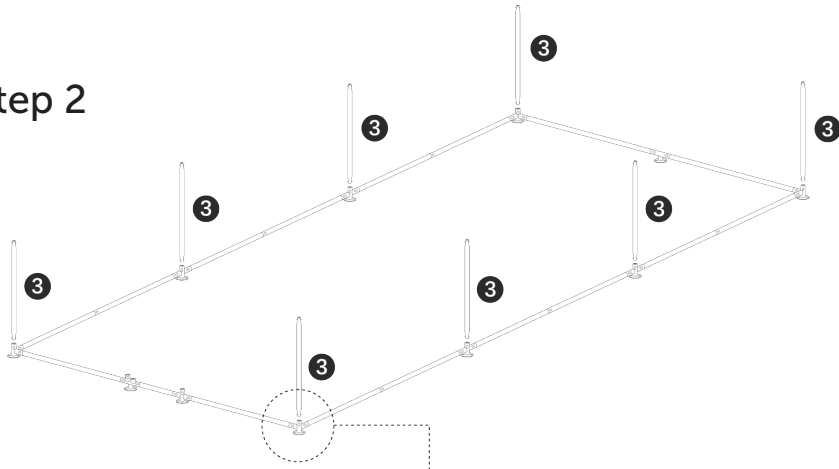
P x1pcs

Directions for use

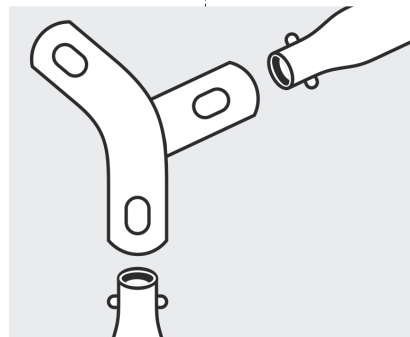
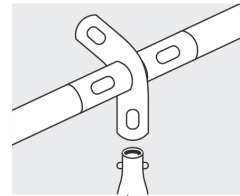
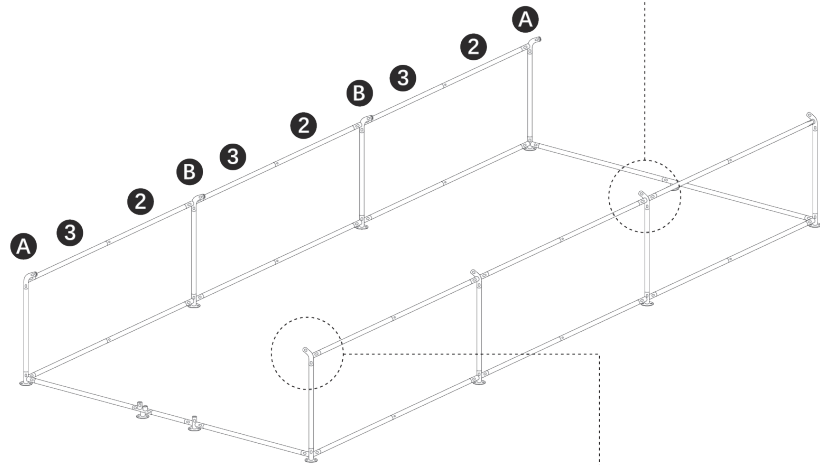
Step 1



Step 2

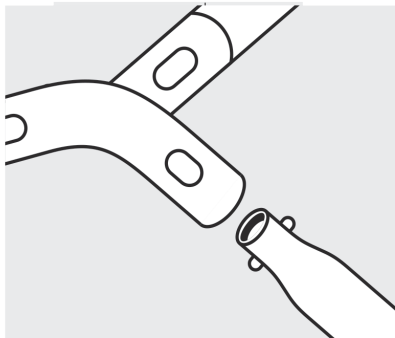
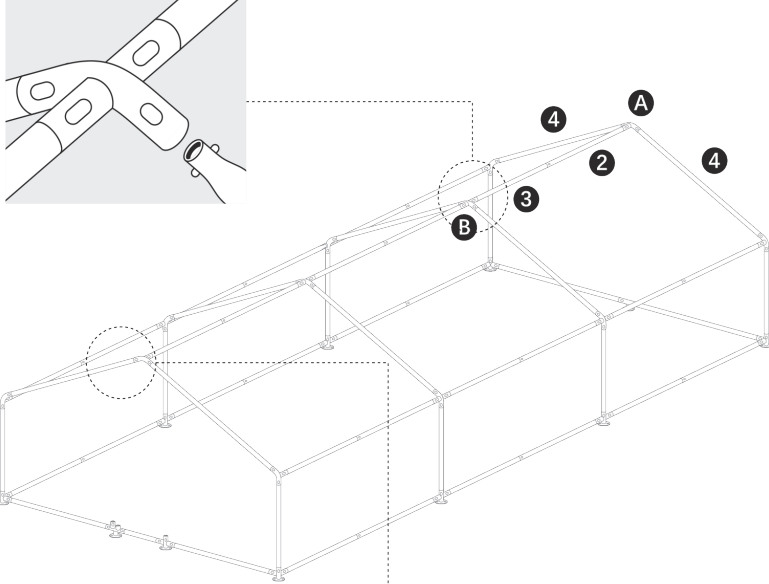


Step 3

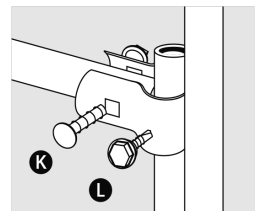
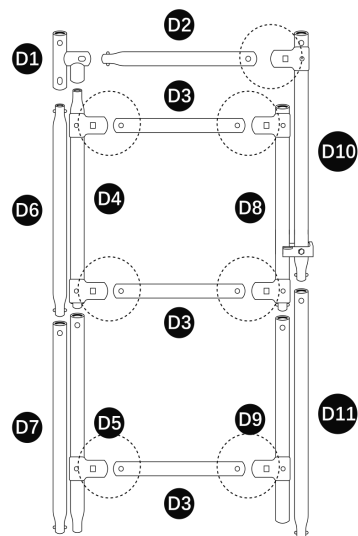


Assembly process

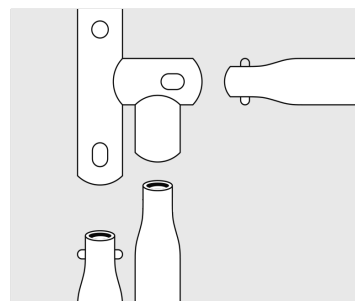
Step 4



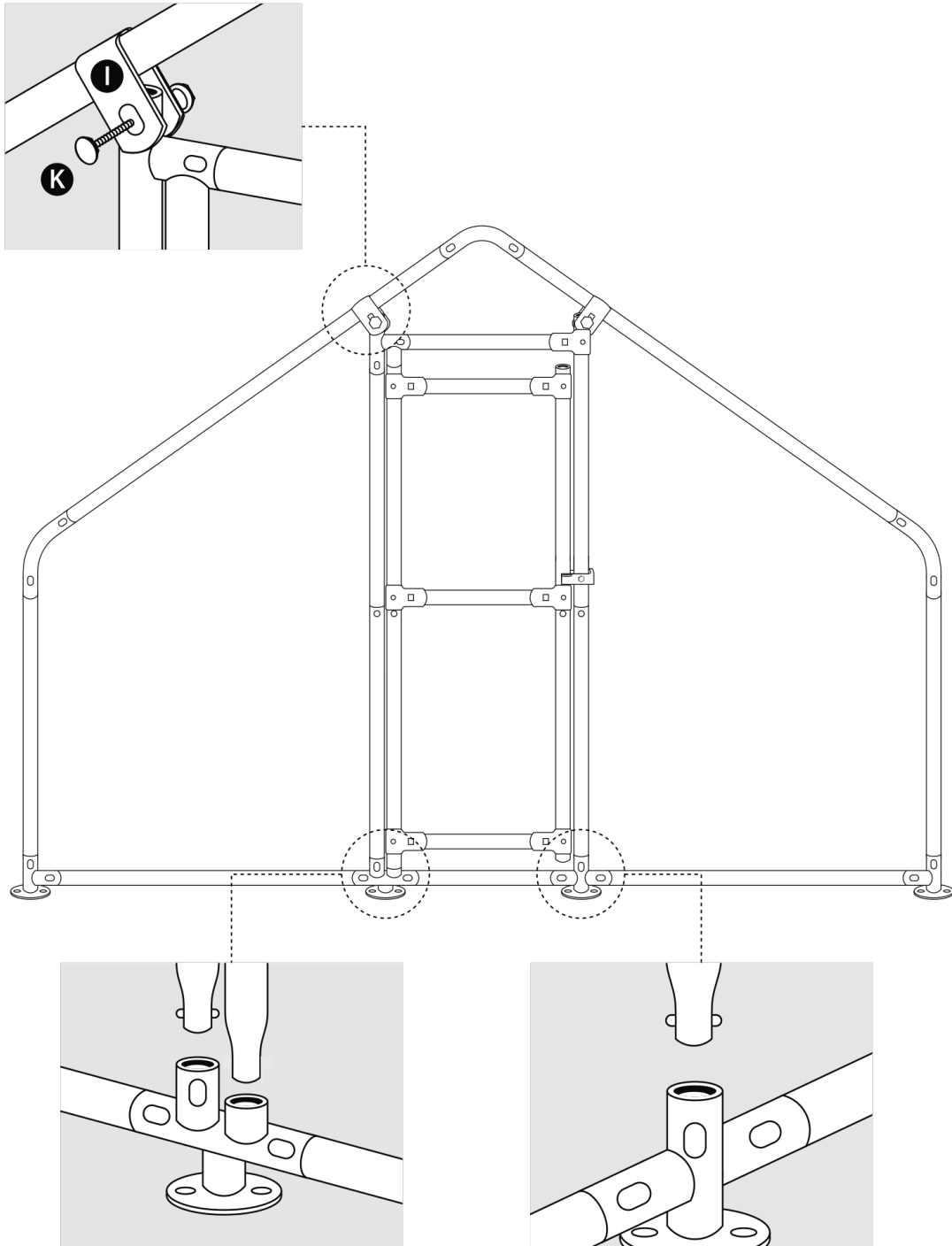
Step 5



Attention:
Self-tapping Screws

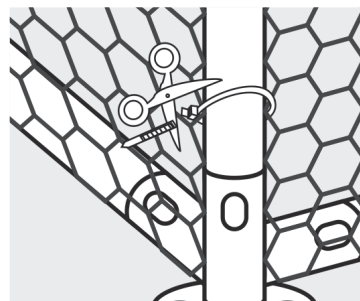
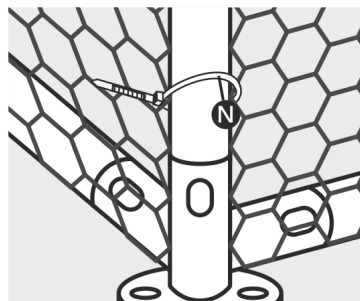
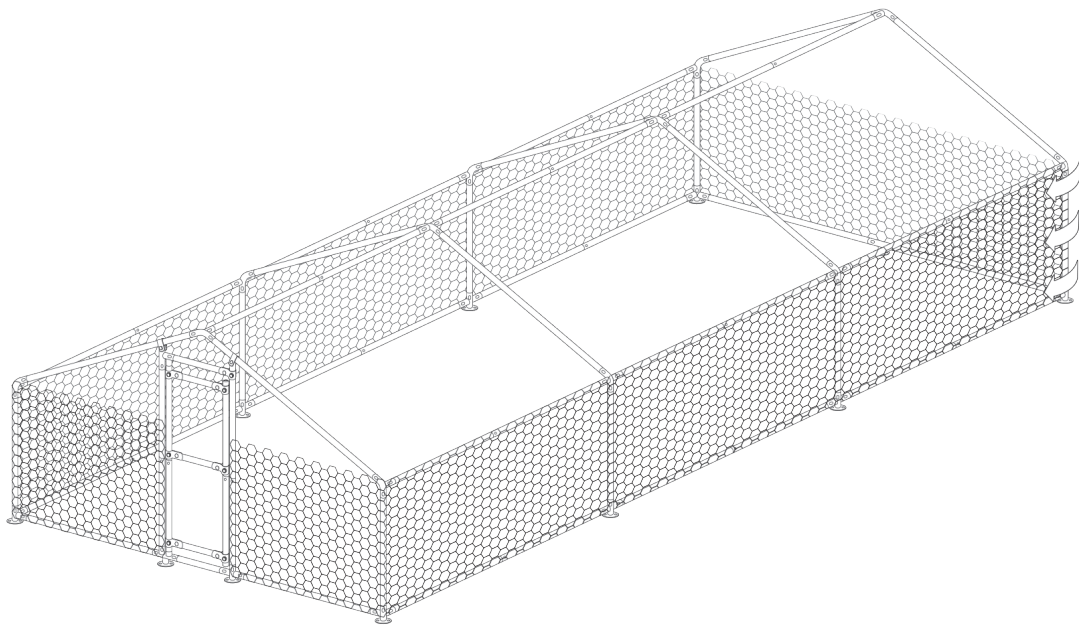
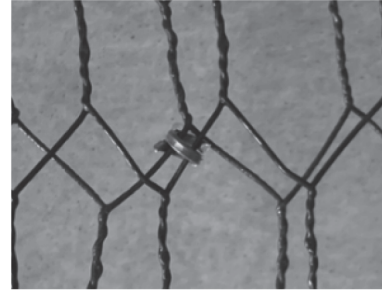


Step 6

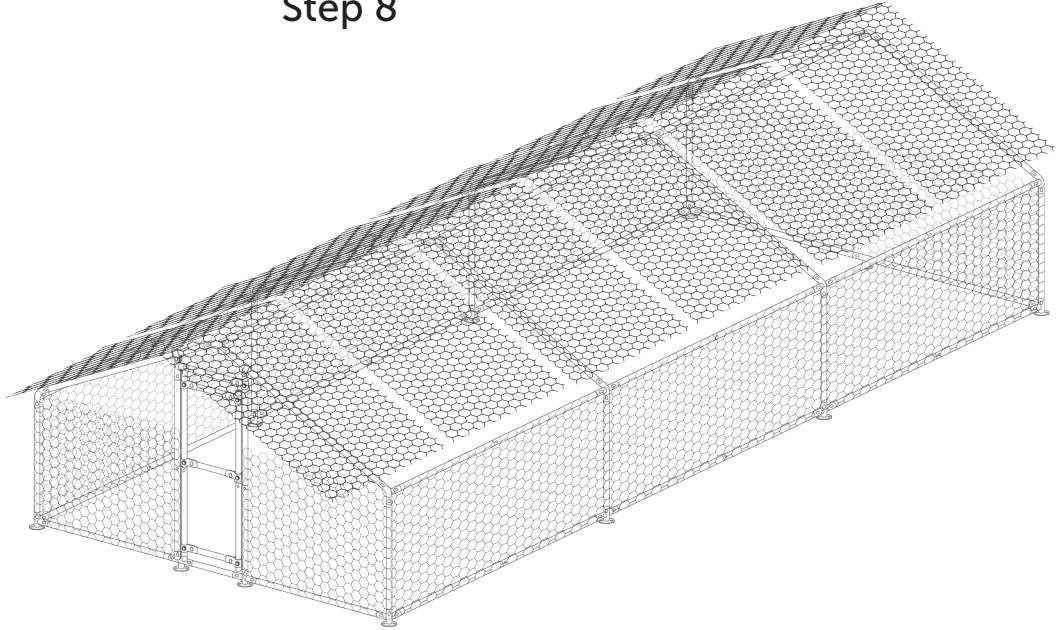


Step 7

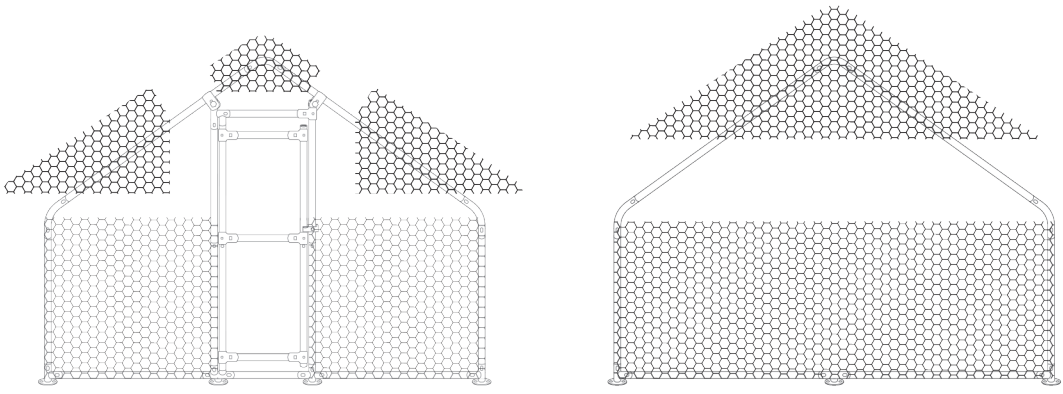
Use the plier and M nails to fix the wire mesh, and use the table tie to fix the wire mesh to the pipe.



Step 8



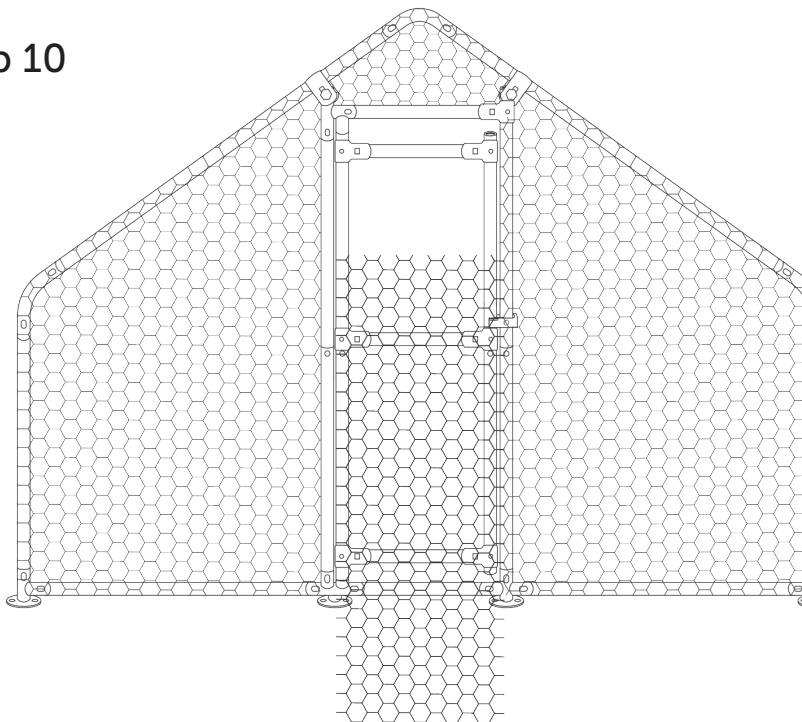
Step 9



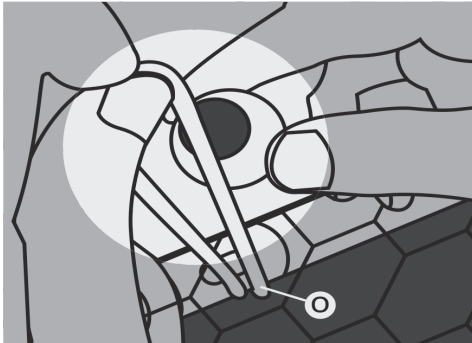
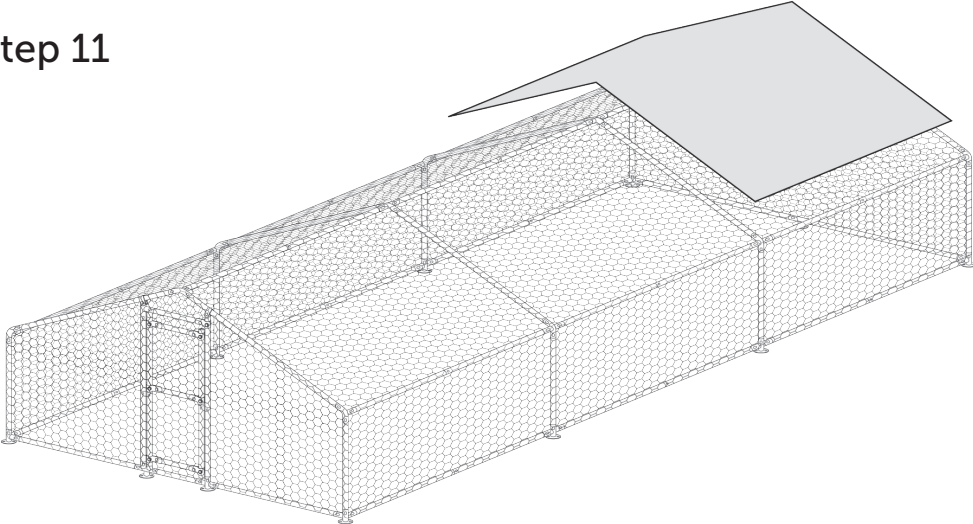
(Front)

(Back)

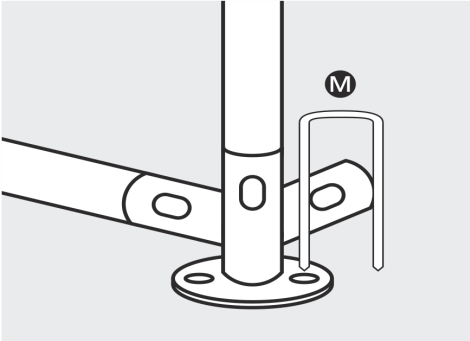
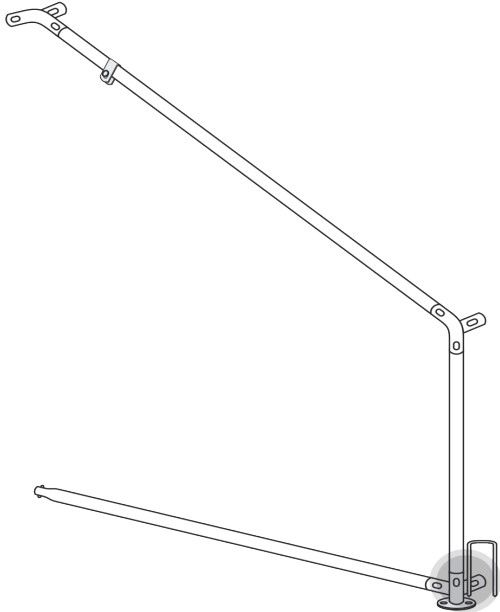
Step 10



Step 11



Step 12



Flamingo

Pet Products nv

Hagelberg 14

2440 Geel - Belgium

www.flamingo.be

Made in PRC