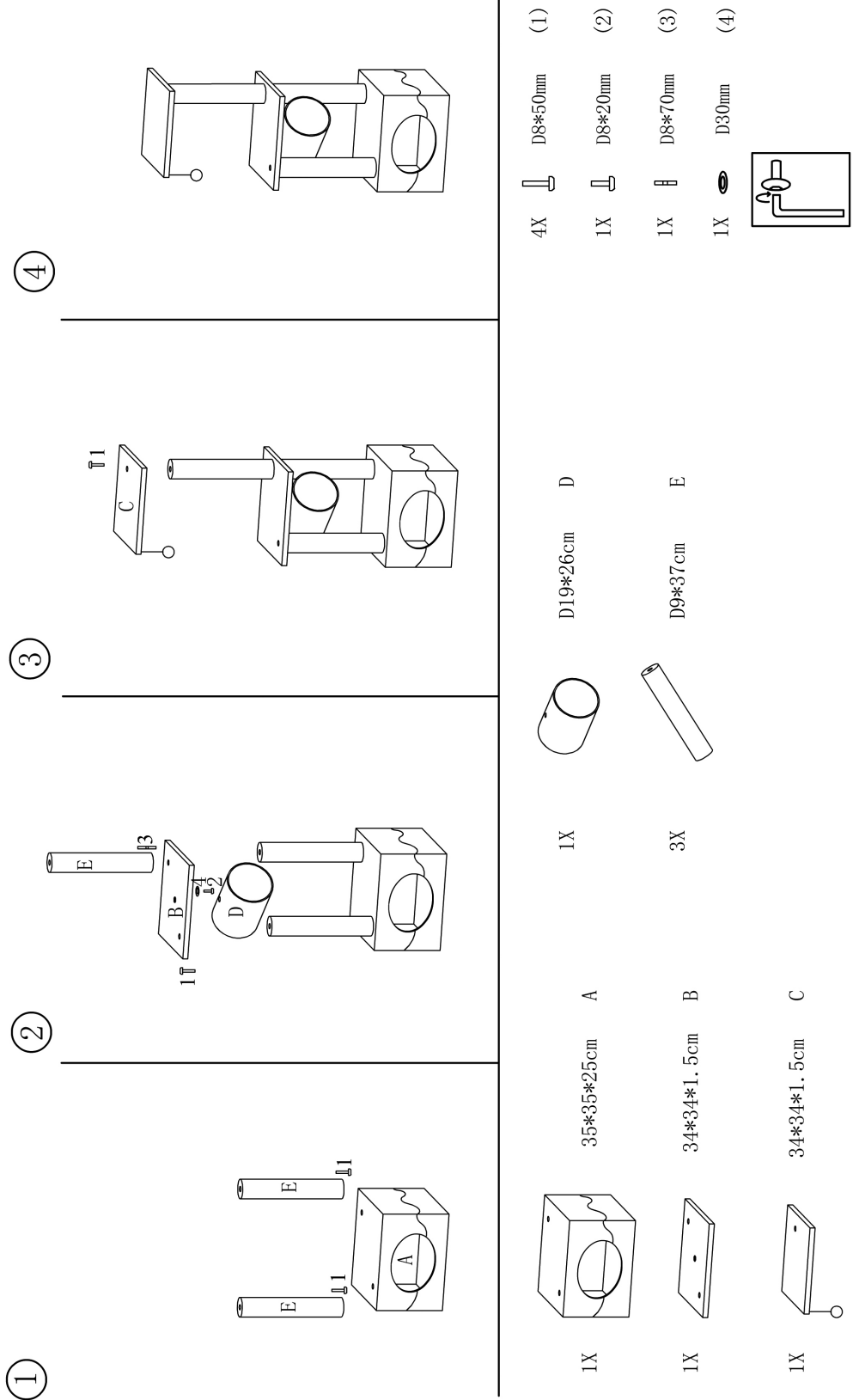
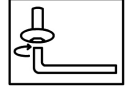


Art. No. 504406 - 504407 - 560020



- | | | | | | | | | | | | |
|----|--|-------------|---|----|--|----------|---|----|--|---------|-----|
| 1X | | 35*35*25cm | A | 1X | | D19*26cm | D | 4X | | D8*50mm | (1) |
| 1X | | 34*34*1.5cm | B | 3X | | D9*37cm | E | 1X | | D8*20mm | (2) |
| 1X | | 34*34*1.5cm | C | | | | | 1X | | D8*70mm | (3) |
| | | | | | | | | 1X | | D30mm | (4) |



SIZE: 35*35*102CM