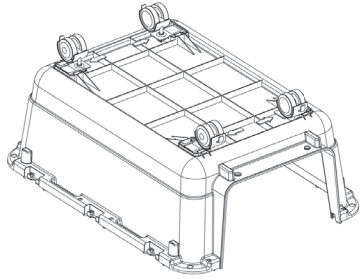
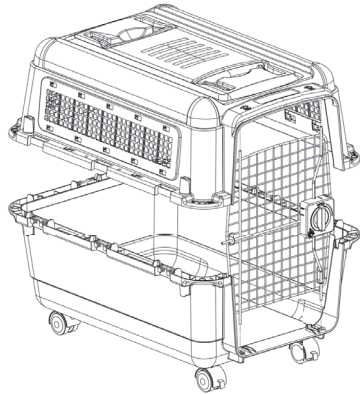


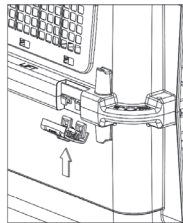
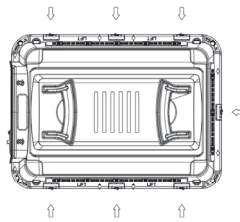
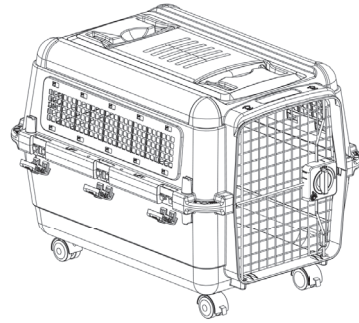
1. Slide the metal plates of the wheels into the grooves of the brackets.



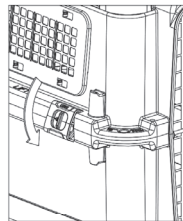
2. Place the top half of the carrier onto the bottom half and ensure all parts are aligned as shown.



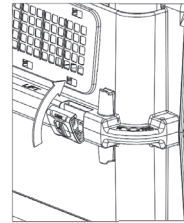
3. Locking latch assembly instruction.



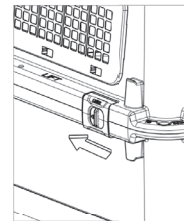
3.1 Snap the hinge into the place on underside of the rim



3.3 Turn the latch down to fasten the top half and bottom half.

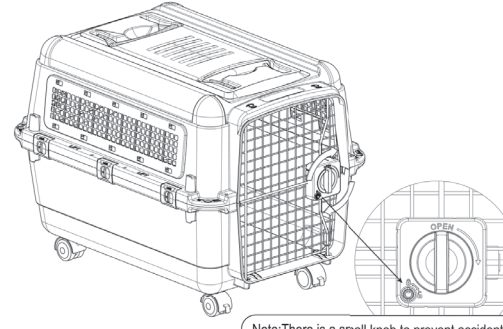


3.2 Uprighting to clamp the latch onto the top half rim

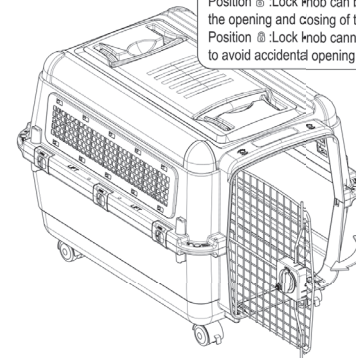


3.4 Push the locking block in the direction of the arrow shown.

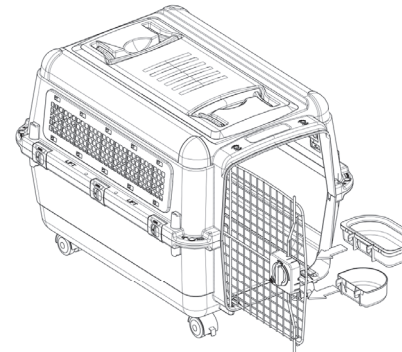
4. Turn the knob as shown and pull out the door.



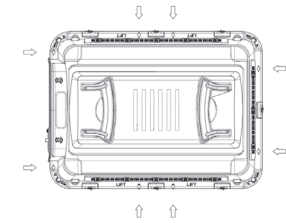
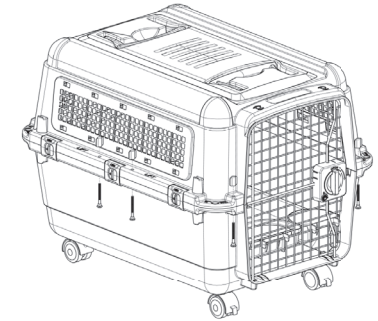
Note: There is a small knob to prevent accidental opening at the lower left corner of the lock.
Position ⑥ - Lock knob can be rotated to control the opening and closing of the door.
Position ⑦ - Lock knob cannot be rotated to avoid accidental opening.



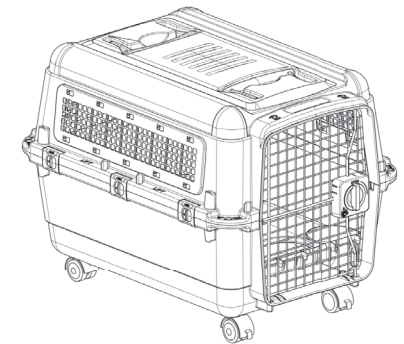
5. Snap the water cups into the door.



6. Insert bolts from the underside of rim through holes and secure with specially designed wing nuts.



7. Assembly completed.



**Art. No. 522477-522478
522479-522480**